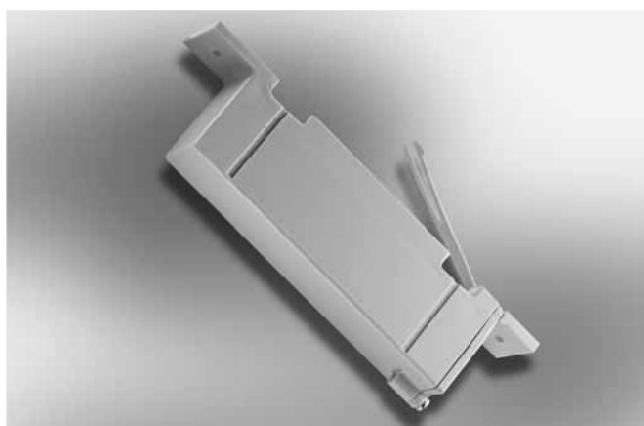


# Motion sensor for awnings

Centronic SensorControl SC211A



The motion sensor for awnings for installation on a folding arm awning.

Item no. 4033 000 910 0

## Highlights

- Special Sensor for folding arm awnings
- Unobstrusive monitoring of wind motion on the awning
- Monitoring of the inclination on the awning
- Radio connection to the drive or receiver
- Threshold values can easily be set via handheld transmitter

## Key Features

### Special Sensor for folding arm awnings

Sensor can easily and unobstrusively mounted on most of the folding arm awnings

### Optimal protection of the awning

Perfect protection to monitor the wind motion and inclination (due to water buildup) on the profile of the awning

### Easy setting of threshold value

Easy setting and adjustment of the threshold value for the wind motion

### State-of-the-art technology with interference-immune radio frequency

Large operating range  
Interference-immune operation in living areas  
Can be set with any Centronic sender with wind threshold value adjustment

### Alternating code in transmission protocol

Protection from unauthorised copying of transmission data  
High system security offers protection from unauthorised use

### Radio link monitoring

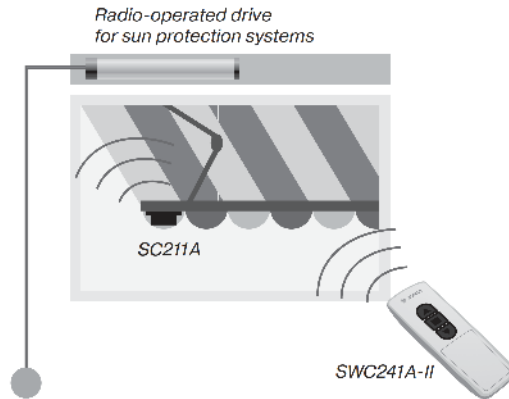
In case of transmission interruption the awning is automatically driven in to protect from wind damage

## Technical data

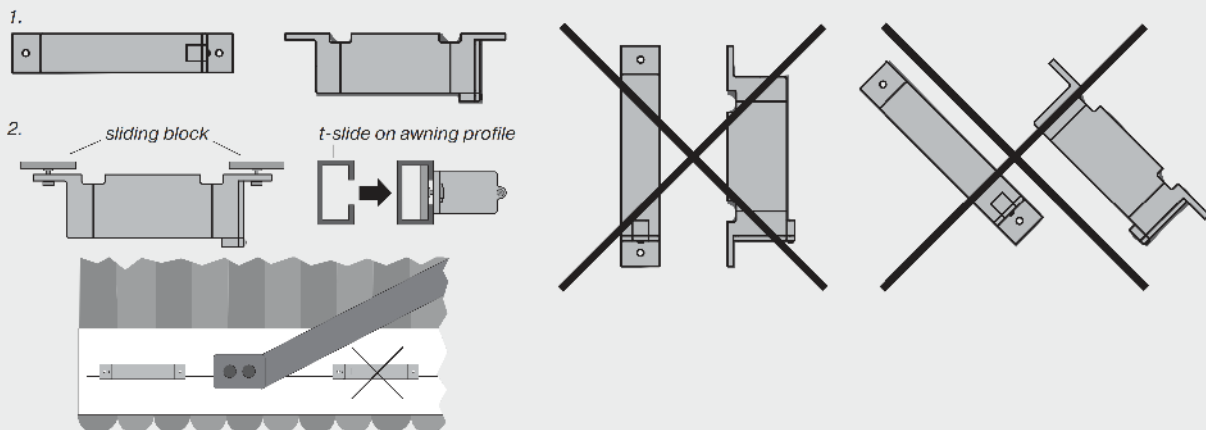
<b>Dimensions (wxhxd)</b>	23 x 39 x 140 mm
<b>Protection class</b>	IP 44
<b>Nominal voltage</b>	3 V DC
<b>Battery type</b>	LR03 (AAA)
<b>Radius of inclination</b>	0° to 90°
<b>Permissible ambient temperature</b>	-25 to +55 °C
<b>Radio frequency</b>	915,3 MHz
<b>Colour</b>	light grey
<b>Type of installation</b>	on the awning profile



## Functional principle - Example of electrical connection



## Installation



## It's that easy

